



Models - 9420* & 9420-1* Coin Operated Models
9420-1C* Commercial Models
9420CGDH & 9420CGDH-2

Page 2	Product Information
Page 3	Specifications
Page 4	Important Safety Instructions
Page 5-7	Product Dimensions
Page 8-13	Installation
Page 13-14	Programming
Page 15	Operating Instructions
Page 15-16	Maintenance & Troubleshooting
Page 17-24	Parts List
Page 25-27	Wiring Diagram



PRODUCT INFORMATION

Please take a moment to fill out the information below in order to aid us with any future sales or service inquiries. Model number and serial number information can be found on the serial tag located inside the control box and/or on the lower exterior of the can. Key number can be found on the tag that comes attached to the keys. There may be more than one key number depending on unit.

Please keep this information with your records.

MODEL#: _____

SERIAL#: _____

KEY NUMBER(S): _____

DATE PURCHASED: _____

DISTRIBUTOR: _____

**J.E. Adams Industries
1025 63rd Ave. S.W.
Cedar Rapids, IA 52404
1-800-553-8861
www.jeadams.com**

Specifications

Unit specifications: Gast twin cylinder compressor models

Voltage: 120VAC, 60Hz

Amperage: (1) 15 & (1) 20 amp services are required for this unit (both air and vac may run/vend at the same time)

Weight: 180-190 lbs with pallet

Vac Motor: (2) 120VAC vacuum motor (requires dedicated 20A service)

Fuses: (2) 10 amp inline fuses (vac motors)

Compressor: Gast 3/4 HP, 120VAC, 60HZ (requires dedicated 10A service)

Unit specifications: **9420CGDH (ONLY)**

Voltage: 120VAC, 60Hz

Amperage: (1) 30 amp service is required.

Weight: 195-205 lbs with pallet

Vac Motor: (3) 120VAC vacuum motor

Fuses: (3) 10 amp inline fuses (vac motors)

Compressor: Gast 3/4 HP, 120VAC, 60HZ

Unit specifications: **9420CGDH-2 (ONLY)**

Voltage: 120VAC, 60Hz

Amperage: (1) 30 amp service and (1) 15A service required.

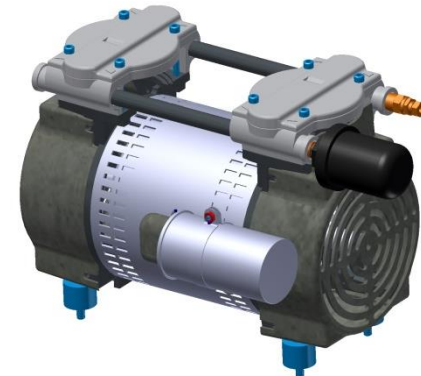
Weight: 195-205 lbs with pallet

Vac Motor: (3) 120VAC vacuum motor

Fuses: (3) 10 amp inline fuses (vac motors)

Compressor: Gast 3/4 HP, 120VAC, 60HZ

Gast compressor



Duty cycle time 4 minutes on, 4 minutes off.

NOTE: "UNIT INTENDED FOR COMMERCIAL USE ONLY"

IMPORTANT SAFETY INSTRUCTIONS

When using an electrical appliance, basic precautions should always be followed, including the following:

READ ALL INSTRUCTIONS BEFORE USING (THIS APPLIANCE)

WARNING – To reduce the risk of fire, electric shock, or injury:

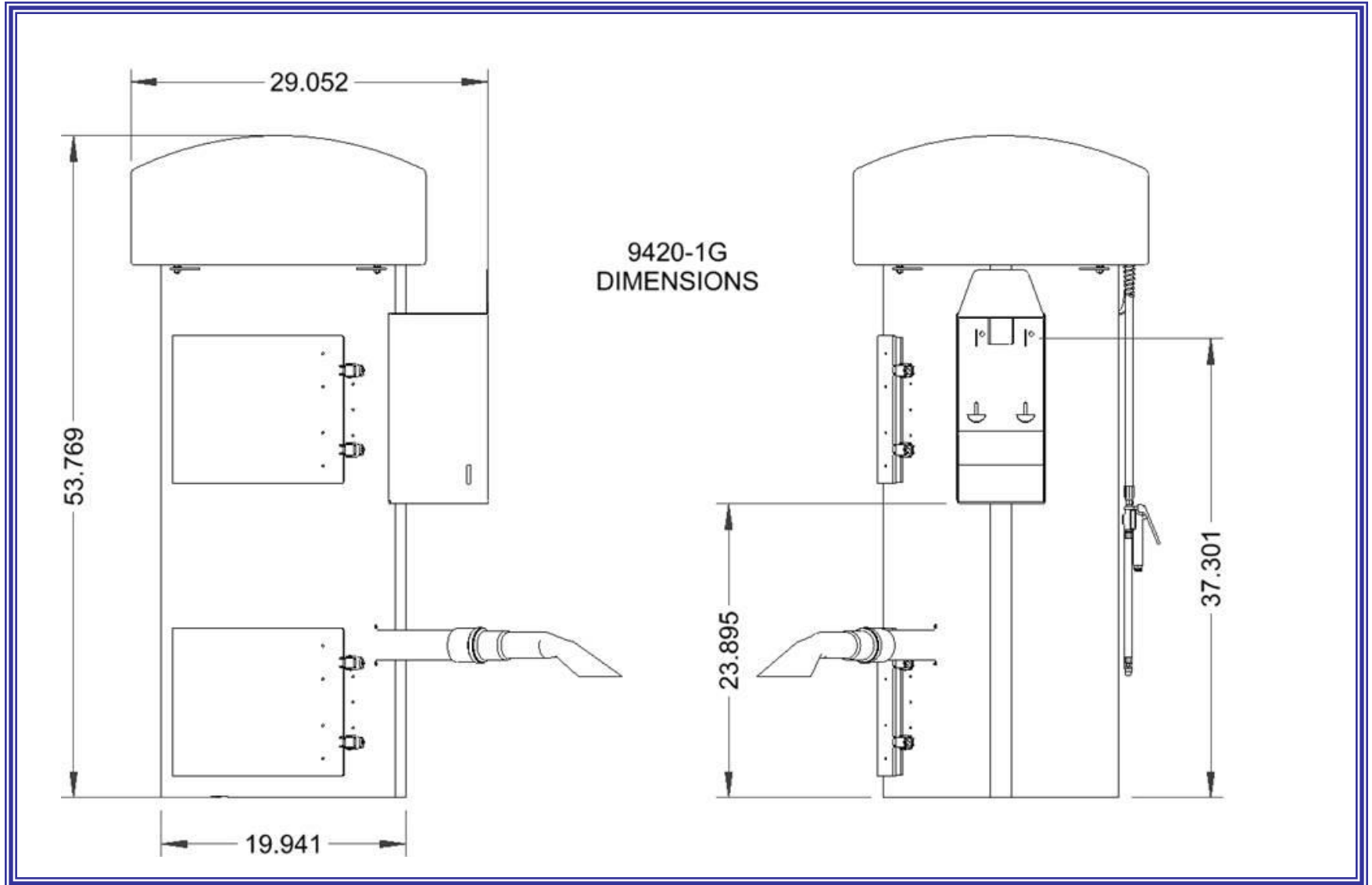


- Do not use on wet surfaces.
- Use only as described in manual. Use only manufactures recommended attachments.
- Do not allow to be used as a toy. Close attention is necessary when used by or near children.
- Do not put any object into openings. Do not use with any opening blocked; keep free of dust, lint, hair and anything that may reduce air flow.
- Keep hair, loose clothing, fingers, and all parts of body away from openings and moving parts.
- Do not use to pick up flammable or combustible liquids, such as gasoline, or use in areas where they may be present.
- Do not pick up anything that is burning or smoking, such as cigarettes, matches, or hot ashes.
- Do not use without dust bag and/or filters in place.

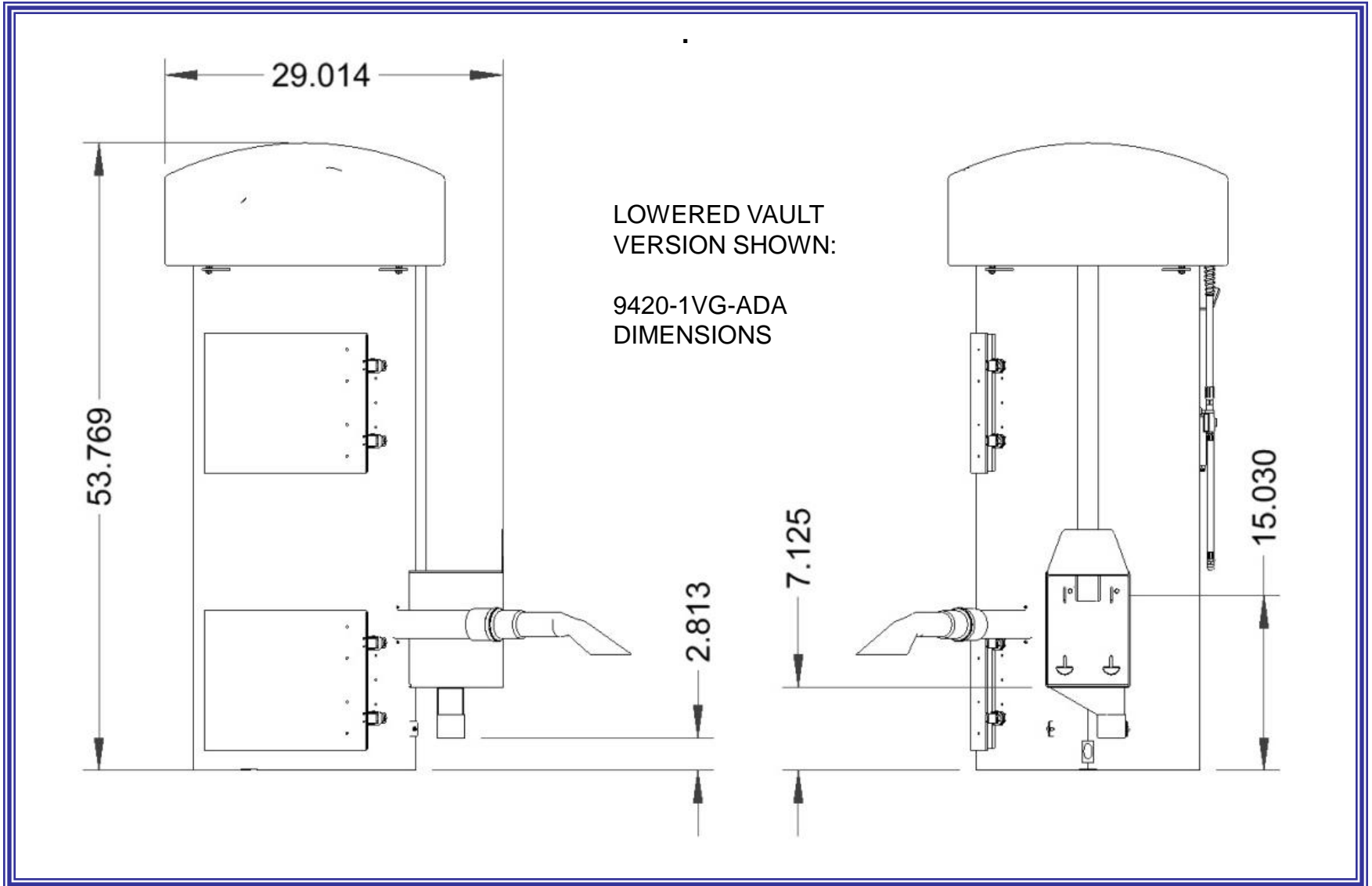
SAVE THESE INSTRUCTIONS

- **Installation Instructions:**
- Determine location to mount unit (“**DANGER**” “**THIS EQUIPMENT INCORPORATES PARTS SUCH AS SWITCHES, MOTORS, OR THE LIKE THAT TEND TO PRODUCE ARCS OR SPARKS THAT CAN CAUSE AN EXPLOSION. WHEN LOCATED IN GASOLINE-DISPENSING AND SERVICE STATIONS INSTALL AND USE AT LEAST 20 FEET (6 M) HORIZONTALLY FROM THE EXTERIOR ENCLOSURE OF ANY DISPENSING PUMP AND AT LEAST 18 INCHES (450 MM) ABOVE A DRIVEWAY OR GROUND LEVEL.**”
- Run electrical service to that location.
- **Grounding Instructions:** This appliance must be connected to a grounded metal, permanent wiring system; or an equipment-grounding conductor must be run with the circuit conductors and connected to the equipment-grounding terminal or lead on the appliance.
- **Circuit must be protected by GFCI device.**
- All local and national electric codes must be followed for installation and use.
- Licensed electricians are recommended for installation.

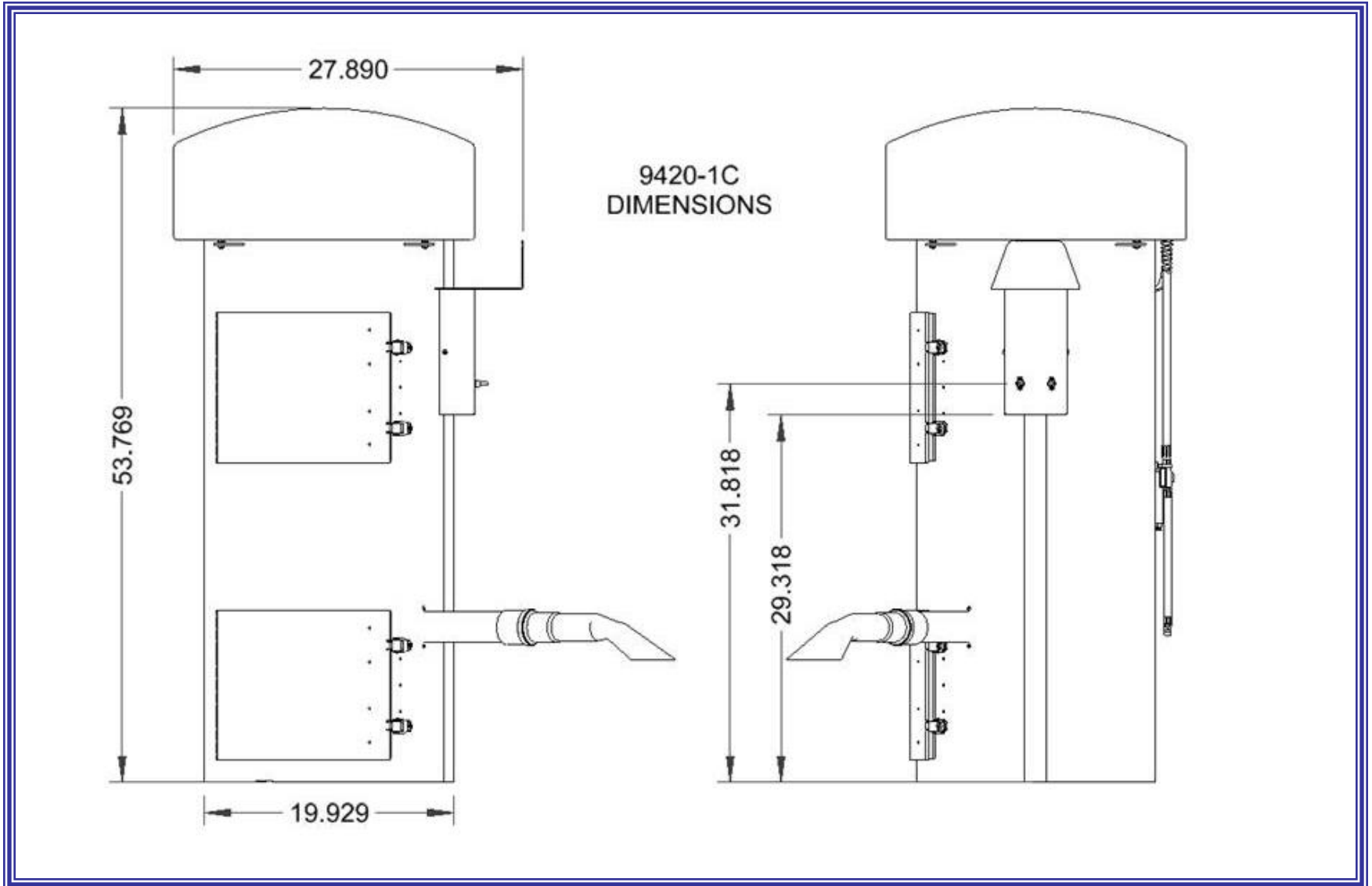
Product Dimensions



Product Dimensions

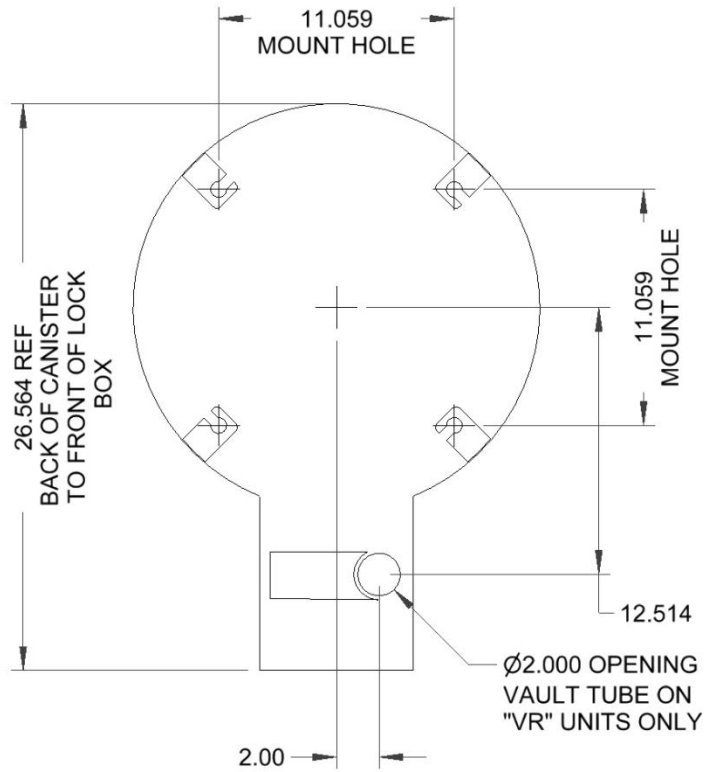


Product Dimensions

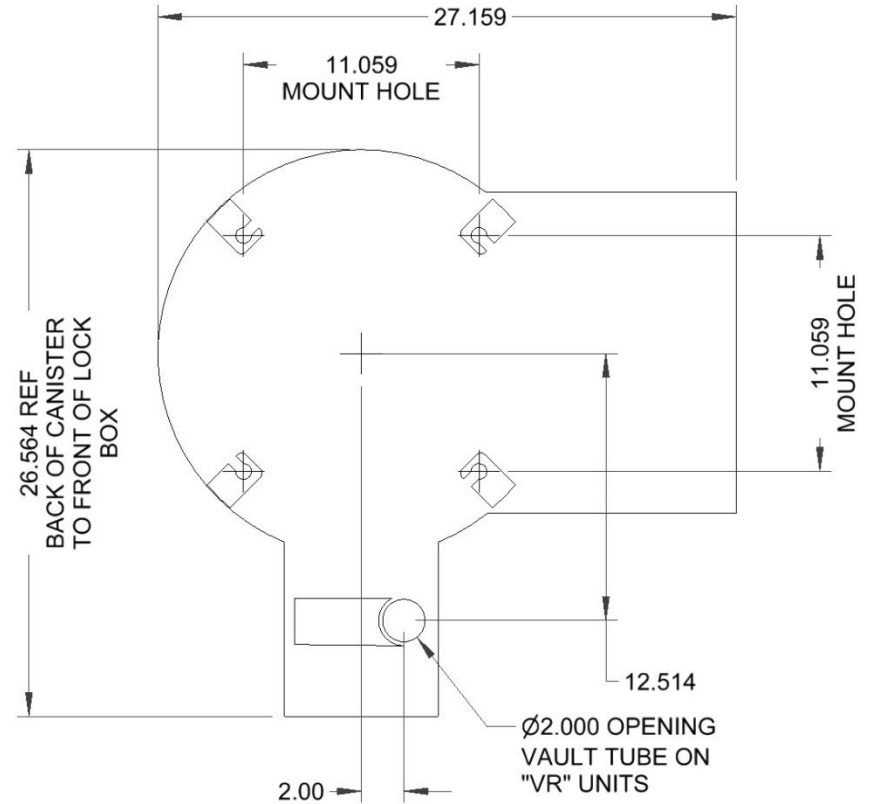


Installation:

PLAN VIEW

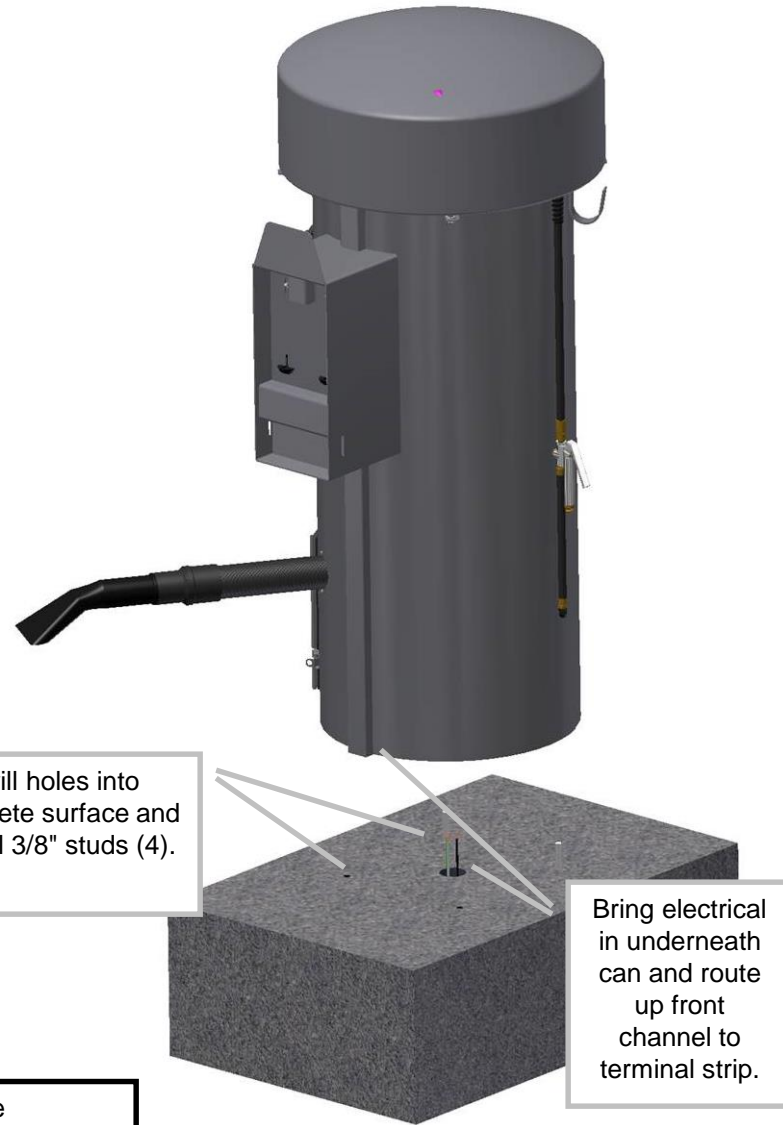


PLAN VIEW



NOTE: when mounting, provide clearance so cleanout doors can open!!

Installation:



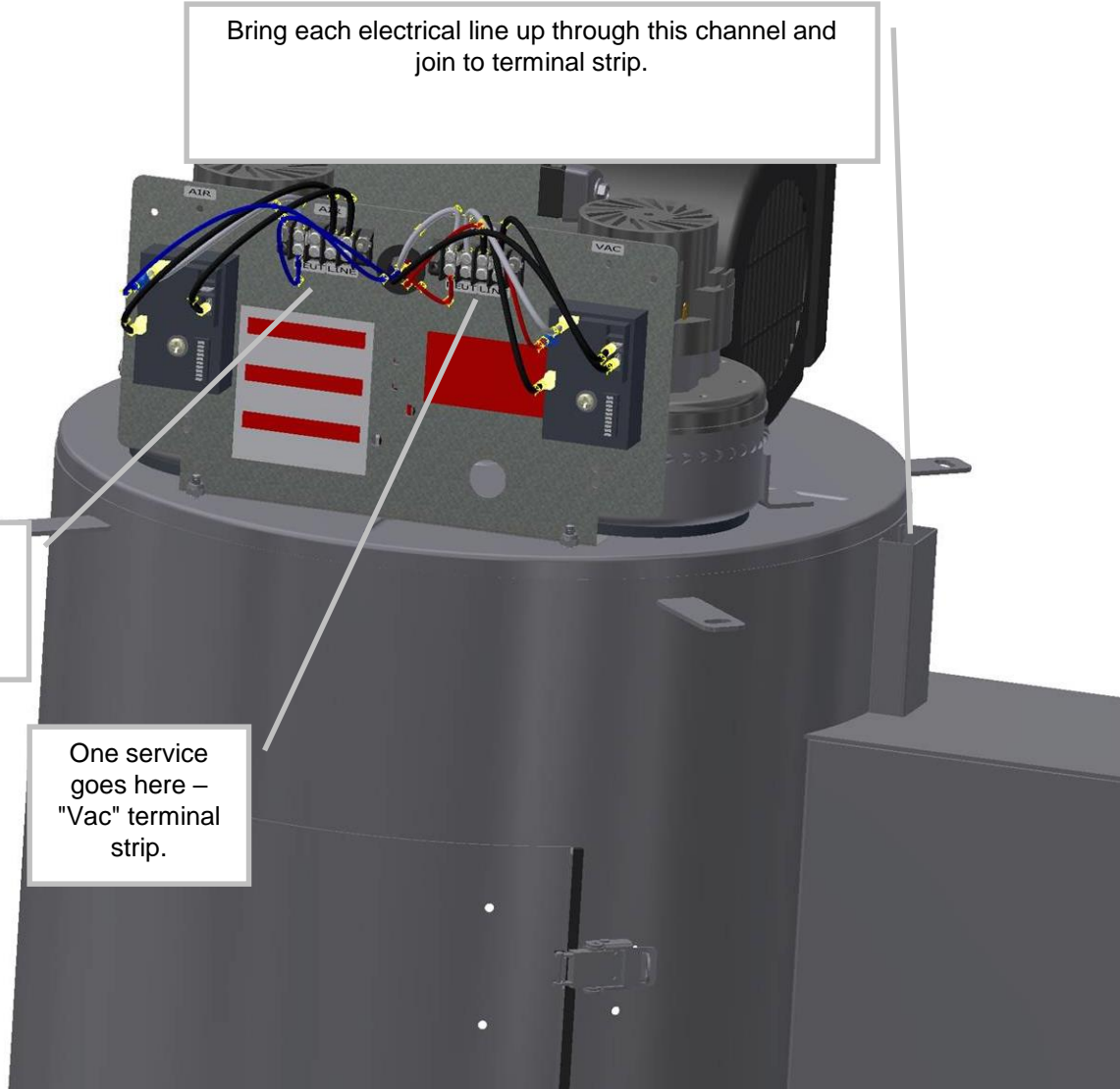
NOTE: when mounting, provide clearance so cleanout doors can open!!

Wiring – 2 vac motor, coin operated or push button kit with timer (dual electrical service)

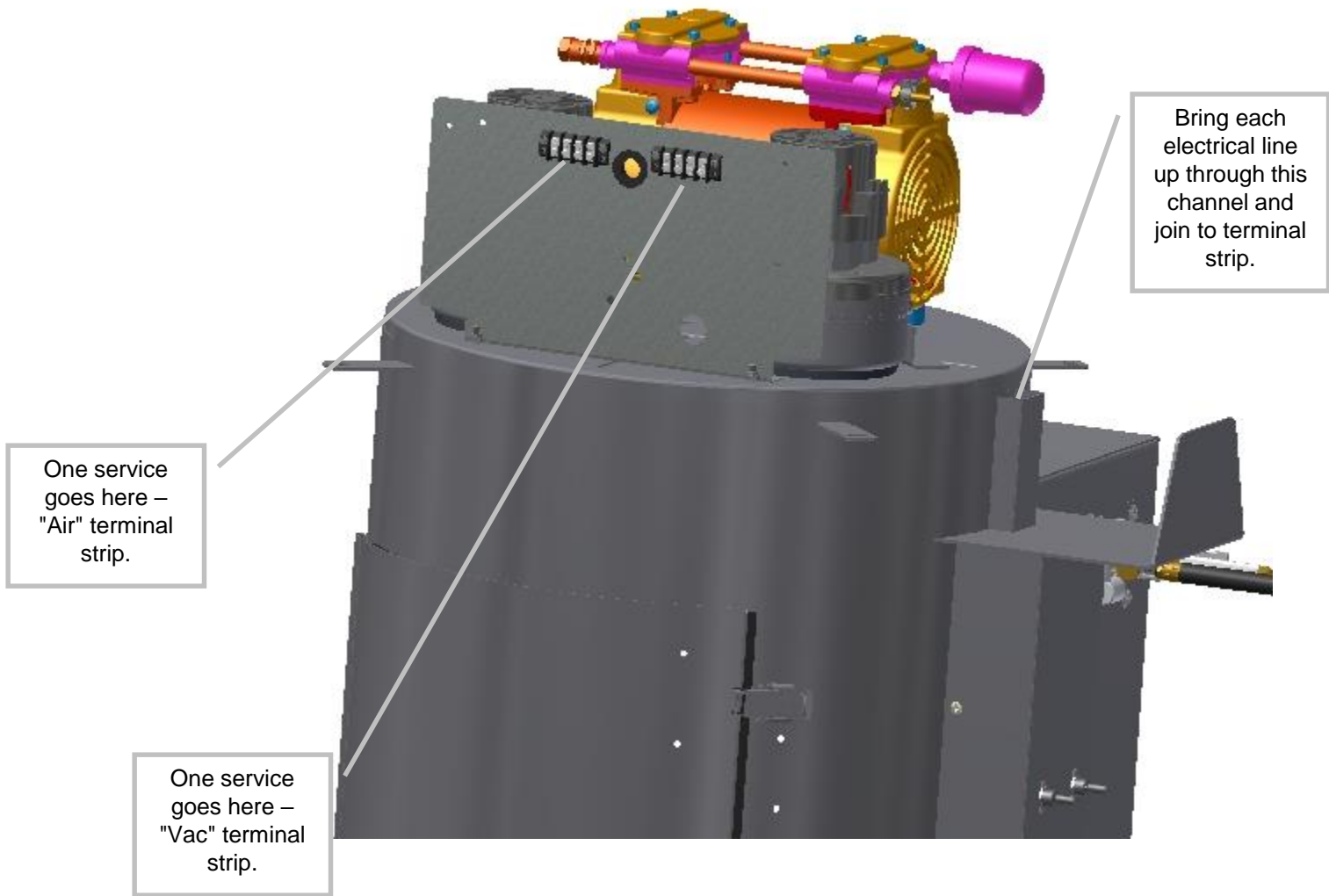
Bring each electrical line up through this channel and join to terminal strip.

One service goes here – "Air" terminal strip.

One service goes here – "Vac" terminal strip.



Wiring – 2 vac motor, commercial toggle switch (dual electrical service)



Wiring – 3 motor air-vac, commercial toggle switch, single electrical (left) or dual service (right)

Single service
9420CGDH

Dual service
9420CGDH-2

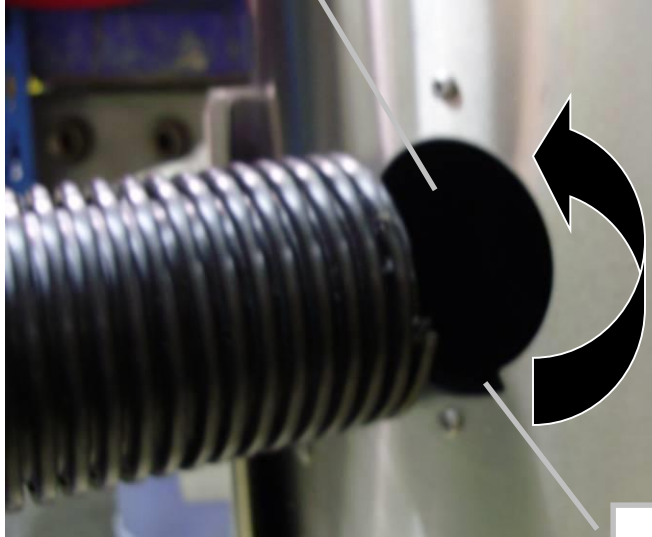


Connect incoming
power wires here
as marked.

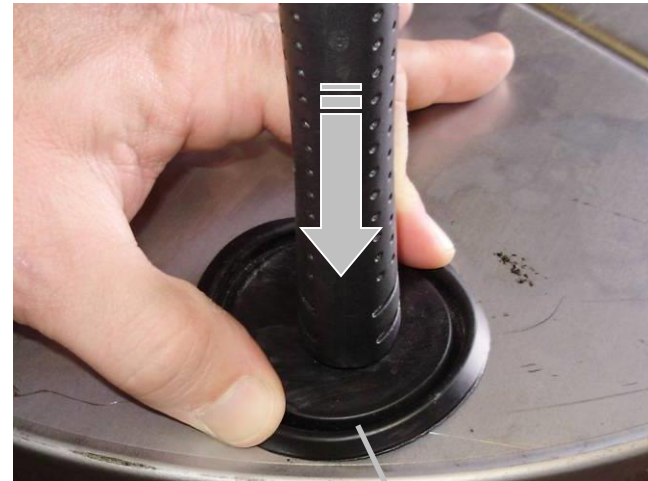
From bottom of vacuum,
bring electrical line(s)
up through this channel
and join to terminal strip.

Once unit has been installed use 5871B8 cap plugs (supplied with unit) to seal holes in canister bottom located in lower cleanout door. Extra cap plugs are included with the unit in case plug becomes damaged during shipping removal.

To attach hose, thread into metal hole counter clockwise.



Edge of hose will need to start here.



To insert 5871B8 cap plugs into bottom holes, pinch cap plug into place using index finger and thumb. With edges of plug resting against edges of hole, firmly push down on plug with end of hammer or other blunt object until plug snaps into place.

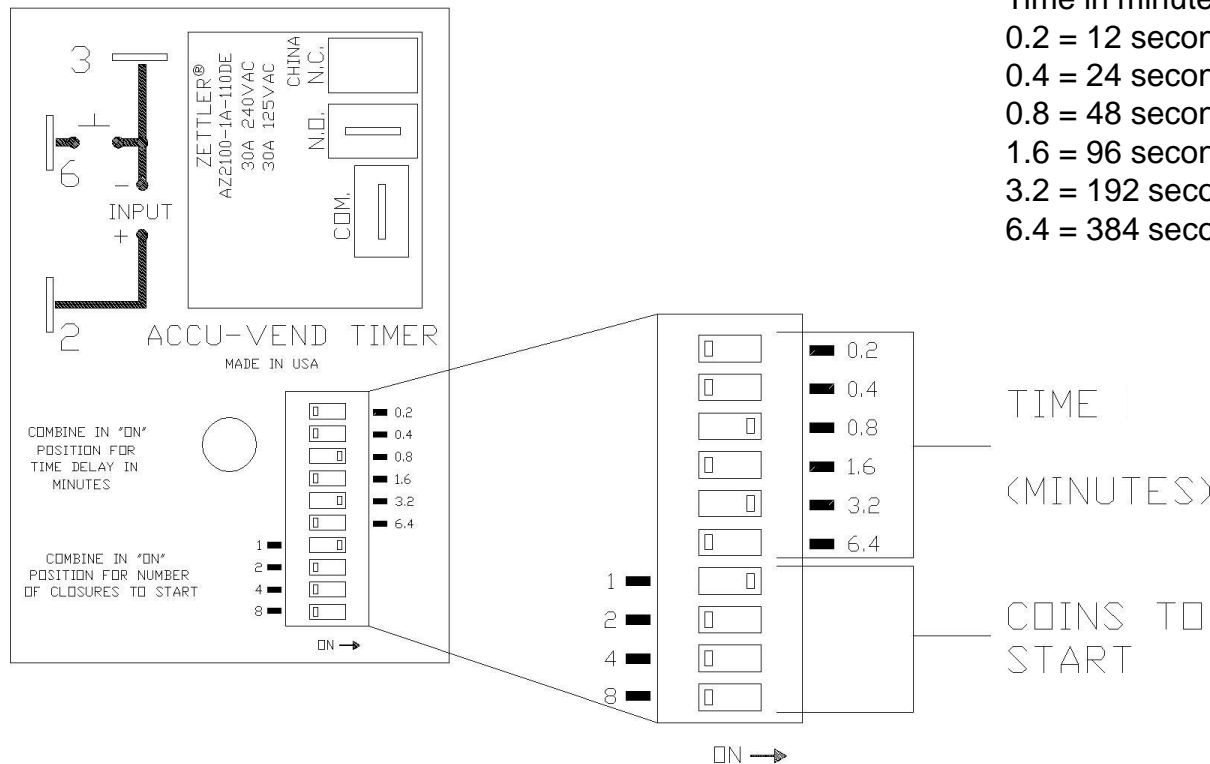
Programming Instructions:

Coin acceptor:

No programming to acceptor needed if unit was purchased with the standard Imonex Z3 acceptor (8149 JEA part number) as it is built accept US quarters. If different acceptor was purchased, see additional literature sent along with unit for programming info.

Programming:

The below timer pictured is the standard SSAC model that allows the end user to select the "coins to start" and the "total time" by settings series of dip switches. The number of "coins to start" dip switch is how many quarters are needed to make the machine come on. In the below example, the "one coin" dip is selected which makes the unit come on with one coin. The "total time" will then need to be set, but a good rule of thumb would be 4 minutes which requires dip switches 3.2 and .8 to be set to on. This scenario means 1 quarter will provide 4 minutes of vacuum time. The total time can always be changed by adding or subtracting time. If the operator would later decide to increase the cost of the unit to "2" quarters, the 2 dip switch would need to be in the on position (all others off) and the time dip switches would still be 3.2 and .8 dips selected for 4 minutes. **Timer is non-accumulating so "coins to start" setting is just to make the machine turn on and "time" is total time regardless of coins to start setting.**



Time in minutes dip switch settings:

0.2 = 12 seconds

0.4 = 24 seconds

0.8 = 48 seconds

1.6 = 96 seconds

3.2 = 192 seconds

6.4 = 384 seconds

Operating Instructions:

- Insert payment (coins) to start vacuum or air compressor.
- Once service is used, hang up hose.

Maintenance:

- **All servicing of machine should be conducted by an authorized service representative!**
- Filter bags should be accessed and shaken down weekly. It is recommended to keep a new set of bags on hand so that once every few months the bags can be replaced and then thoroughly cleaned.
- To maintain performance, empty dirt bin from the canister on a regular basis.
- Periodically inspect wires and connections for wear or fatigue.
- Check door and motor gaskets periodically for signs of wear or damage and replace as needed.
- Check vac hose, air hose, and air chuck/gasket for cracks or damage on a weekly basis.
- Clean canister with a stainless steel cleaner as needed. Decals can be cleaned with mild soap and water.
- Check motor brushes every month for excessive wear. Motor brushes should be changed immediately if they are 1/4" or shorter. **Please disconnect power before doing this!**



DISCONNECT POWER BEFORE SERVICING OR TROUBLESHOOTING!



Troubleshooting:

Problem	Possible cause	Solution
Unit is not powered.	Breaker inside unit is not in the on position.	Flip breaker on.
	No power to machine.	Check incoming power.
	Loose connection.	Check incoming power connection.
Machine is behaving erratically.	Is the incoming power at 120V?	Check voltage and monitor while machine runs. Low voltage can cause erratic behavior.
	Are any of the machines wires worn through or connections not making contact?	Inspect wiring and connections. Look for sharp bends in wires and places where wire is against the metal chassis.
Unit keeps tripping breaker.	Inadequate wire size ran to machine.	Call electrician and install proper wire size for 20amp service versus length or run.
	Wrong size breaker.	Install correct breaker (only if wire size is adequate to handle 20 amp breaker).

Fuses for vac motors keep blowing.	Inadequate wire size ran to machine.	Call electrician and install proper wire size for 20amp service versus length or run.
	Motor brushes may be bad or too short.	Replace motor brushes.
Lack of vacuum suction.	Vac hose clogged?	Clean debris from vac hose.
	Filter bags need cleaned or dirt chamber needs emptied?	Shake or clean filter bags or replace and empty lower dirt chamber.
	Vac hose is split?	Replace/repair vac hose.
	Cleanout door gaskets torn or worn?	Replace gaskets.
	Vac motor gaskets are worn or motor is not tight against.	Inspect/replace gaskets and assure motor is tight against them.
	Lower chamber cap plugs/mounting hole covers have popped out?	Open lower chamber and inspect plugs, order new if needed.
	Cleanout door gaskets torn or worn?	Replace gaskets.
	One of the vac motors is not working?	Check line motor fuse and replace. Replace motor if necessary.
Compressor runs but will not inflate tire.	Air is leaking from unit somewhere.	Turn power off to unit, apply chuck to air source with at least 30lbs of pressure and listen carefully for leaks inside cabinet or air hose. Replace faulty component if leaking.
	If no system leaks, is compressor putting out enough pressure?	If compressor cannot force air into tire, the compressor may have exceeded its life span and need rebuilt (about 1000 hours).
	Chuck washer is worn out?	Replace rubber washer inside chuck with JE Adams PN 8533-3CW.
	Temperature is below freezing and condensation off compressor has froze in air hose.	Remove air hose and chuck and bring into warm area to thaw. Optional air dry systems are available through JE Adams if frequent problem- please call.

PART NO. 9420-1G

BILL OF MATERIALS				BILL OF MATERIALS			
ITEM	PART NUMBER	DESCRIPTION	QTY	ITEM	PART NUMBER	DESCRIPTION	QTY
33	8159	DOOR GASKET	2	1	2036	HOSE, 2" X 15' BLACK VACUUM	1
34	8183	DECAL, WARNING	3	2	2058	CLAW/CUFF ASSEMBLY, 2"	1
35	8204RW	WELDMENT, COIN BOX	1	3	5600D4	3/8-16 X 1.5 HHCS	4
36	8305	24" STAINLESS STEEL DOME	1	4	5601D4	1/4-20 x 3/4 HHCS-SS	1
37	8427-1	DECAL, VACUUM	1	5	5603D1	10 Std NC Nylock Nut	3
38	8427-2	DECAL, AIR	1	6	5603D11	1/2 Std NC Nylock Nut	1
39	8427-3	DECAL, DOME	1	7	5603D2	1/4 Std NC Nylock Nut	1
40	8429-1	DECAL, HANG HOSE	1	8	5603D5	1/4 Std NC Nylock Nut	4
41	8437D001	DECAL, ETL LISTED	1	9	5606D21	WASHER, FLAT, 3/4 SAE, ID 13/16	1
42	8450	DECAL, TOP HEAVY	1	10	5606D22	WASHER, 3/8 FENDER	8
43	8532-25	AIR HOSE ASSY, 1/4" X 25'	1	11	5606D7	FLAT WASHER, .160 ID X .500 OD	1
44	8533-8	TIRE INFLATOR W/ GAUGE	1	12	5627D2	Pan Head, Slotted, 6-32 x 5/8	1
45	8549	FLEX STRAIN RELIEF	1	13	5639D4	RUBBER GROMMET	1
46	8605	PALLET, VAC, 26" X 30.5"	1	14	5647D2	1/8" SS POP RIVET	16
47	8609RW	FACEPLATE W/C, DUAL ACCEPTORS	1	15	5647D8	3/16" SS POP RIVET	14
48	8615-5W	CLEANOUT DOOR WELDMENT	2	16	5684D2	1/2" DIA. HOSE CLAMP	1
49	8630	TUBE, 30.5 X 26 X 60	1	17	5800D6	90 DEG. NPT STREET ELBOW	1
50	8638	PIN LOCK	2	18	5871b8	PLUG, VAC BOTTOM 2-1/2"	8
51	8646A	TIMER ASSEMBLY, AIR/VAC	1	19	6082	BAG, 9 X 12	1
52	8673-11	GROUND WIRE 28"	1	20	8047	BAG, 60 X 72	1
53	8732	NAMEPLATE, PRODUCT SPEC'S	1	21	8051G	BRACKET, MOTOR MOUNT	1
54	8754	WARNING DECAL	1	22	8055EM	MOTOR, ELECTRO 120V	2
55	9420FPD	DECAL, FACEPLATE	1	23	8055LEAD-EM	WIRE LEAD, EM VAC MOTOR	4
56	9421W-1	WELDMENT, AIR/VAC CANISTER	1	24	8057	MOTOR GASKET	2
57	9862	110VAC 3/4 TWIN GAST COMPRESSOR	1	25	8076	FILTER BAG	4
58	B5722-002	NUT, 3/8-16 UNC HEX LOCK NUT	4	26	8081	CABLE TIE MOUNT	2
				27	8084	CABLE TIE	3
				28	8085	15" CABLE TIE	2
				29	8108	#10 x 1/2 TAP SCREW	4
				30	8149	IMONEX COIN ACCEPTOR	2
				31	8153-1	LATCH, CLEANOUT DOOR	4
				32	8157	NUT, #6-32 KEPP NUT STAINLESS	9



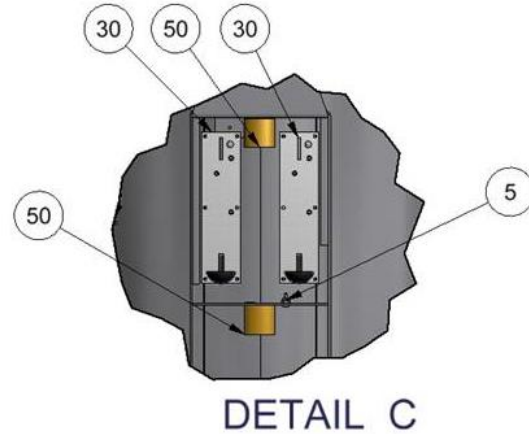
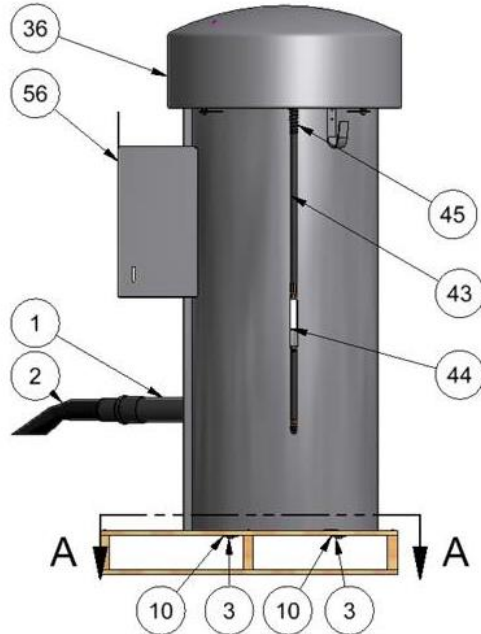
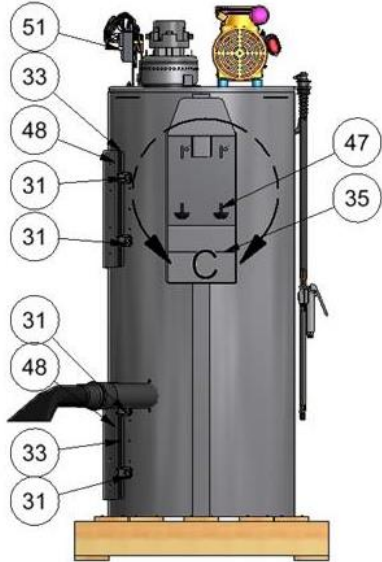
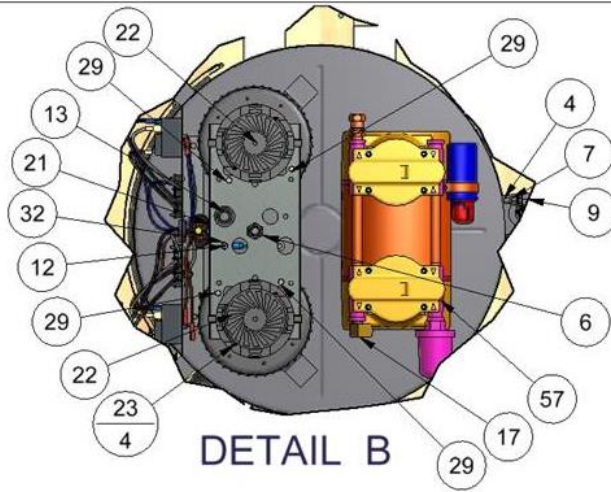
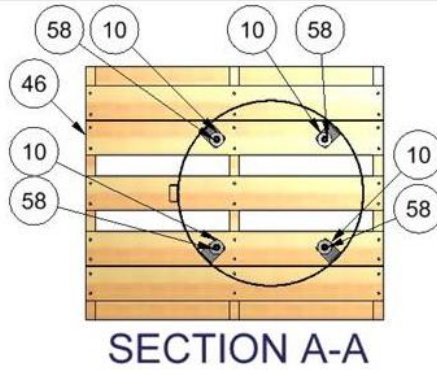
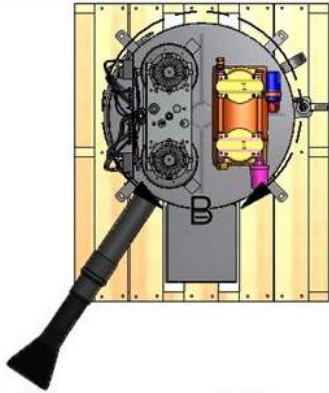
TITLE		AIR/VAC, 2DR, GAST TWIN	
UNSPECIFIED TOLERANCES	MATERIAL	CEDAR RAPIDS, IOWA	
SCALE			
1 PL ±.030	DRAWN BY CHAD K.		
2 PL ±.010			
3 PL ±.003	DATE 4/20/2011	PART NO. 9420-1G	REV. A
ANGLE ±1.0°			

A	6460	REVISED AND DRAWN TO INVENTOR; NO PREVIOUS DRAWING	4-20-11	CK
REV	NO.	DESCRIPTION	DATE	BY

THIS DOCUMENT SHALL NOT BE REPRODUCED NOR SHALL THE INFORMATION THEREIN BE USED BY OR DISCLOSED TO OTHERS EXCEPT AS AUTHORIZED BY J.E. ADAMS INDUSTRIES

PART NO.

9420-1G



REV	NO.	DESCRIPTION	DATE	BY
THIS DOCUMENT SHALL NOT BE REPRODUCED NOR SHALL THE INFORMATION THEREIN BE USED BY OR DISCLOSED TO OTHERS EXCEPT AS AUTHORIZED BY J.E. ADAMS INDUSTRIES				

TITLE		AIR/VAC, 2DR, GAST TWIN	
UNSPECIFIED TOLERANCES	MATERIAL	CEDAR RAPIDS, IOWA	
1 PL ±.030	SCALE		
2 PL ±.010	DRAWN BY		
3 PL ±.003	CHAD K.		
ANGLE ±1.0°	DATE	4/20/2011	PART NO. 9420-1G
			REV. A

BILL OF MATERIALS				BILL OF MATERIALS			
ITEM	PART NUMBER	DESCRIPTION	QTY	ITEM	PART NUMBER	DESCRIPTION	QTY
33	8183	DECAL, WARNING	3	1	2036	HOSE, 2" X 15' BLACK VACUUM	1
34	8305	ASSEMBLED SS DOME	1	2	2058	CLAW/CUFF ASSEMBLY, 2"	1
35	8427-1	DECAL, VACUUM	1	3	5600D4	3/8-16 X 1.5 HHCS	4
36	8427-2	DECAL, AIR	1	4	5601D4	1/4-20 x 3/4 HHCS-SS	1
37	8427-3	DECAL, DOME	1	5	5603D1	10 Std NC Nylock Nut	3
38	8429-1	DECAL, HANG HOSE	1	6	5603D11	1/2 Std NF Nylock Nut	1
39	8437D001	ETL LISTED LABEL	1	7	5603D2	1/4 Std NC Nylock Nut	1
40	8450	DECAL, TOP HEAVY	1	8	5603D5	1/4 Std NC Nylock Nut	4
41	8532-25	AIR HOSE ASSY, 1/4" X 25'	1	9	5606D21	WASHER, FLAT, 3/4 SAE, ID 13/16	1
42	8533-8	TIRE INFLATOR W/ GAUGE	1	10	5606D22	WASHER, 3/8 FENDER	8
43	8549	FLEX STRAIN RELIEF	1	11	5606D7	FLAT WASHER, .160 ID X .500 OD	1
44	8605	PALLET, VAC, 26" X 30.5"	1	12	5627D2	6-32 x .63 PD, PH, MS	1
45	8609RW	FACEPLATE W/C, DUAL ACCEPTORS	1	13	5639D4	RUBBER GROMMET	1
46	8615-5W	CLEANOUT DOOR WELDMENT	2	14	5647D2	1/8" SS POP RIVET	16
47	8638	PIN LOCK	1	15	5647D8	3/16" SS POP RIVET	14
48	8646A	TIMER ASSEMBLY, AIR/VAC	1	16	5684D2	1/2" DIA. HOSE CLAMP	1
49	8673-11	GROUND WIRE 28"	1	17	5800D6	90 DEG. NPT STREET ELBOW	1
50	8732	NAMEPLATE, PRODUCT SPEC'S	1	18	5871b8	PLUG, VAC BOTTOM 2-1/2"	8
51	8754	WARNING DECAL	1	19	6082	BAG, 9 X 12	1
52	8920-71	BOX	1	20	8047	BAG, 60 X 72	1
53	9420FPD	DECAL, FACEPLATE	1	21	8051G	BRACKET, MOTOR MOUNT	1
54	9423W	CANISTER WELDMENT, AIR/VAC, VR	1	22	8055EM	MOTOR, ELECTRO 120V	2
55	9862	110VAC 3/4 TWIN GAST COMPRESSOR	1	23	8057	MOTOR GASKET	2
56	B5722-002	NUT, 3/8-16 UNC HEX LOCK NUT	4	24	8076	FILTER BAG	4
				25	8081	CABLE TIE MOUNT	2
				26	8084	CABLE TIE	3
				27	8085	15" CABLE TIE	2
				28	8108	#10 x 1/2 TAP SCREW	4
				29	8149	IMONEX COIN ACCEPTOR	2
				30	8153-1	LATCH, CLEANOUT DOOR	4
				31	8157	NUT, #6-32 KEPP NUT STAINLESS	9
				32	8159	DOOR GASKET	2

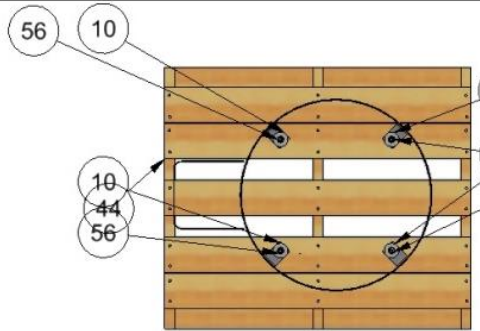
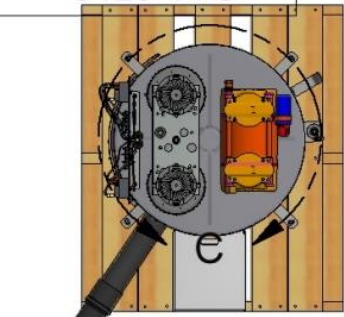


D	7821	UPDATED DRAWING TO SHOWN REVISED 9423W	9-13-16	CK
C	7697	REMOVED 8055LEAD-EM (4)	3-2-16	CK
B	6961	ADDED 8437D001	5-22-12	CK
A	6467	REVISED AND DRAWN TO INVENTOR; NO PREVIOUS DRAWING	4-22-11	CK
REV	NO.	DESCRIPTION	DATE	BY
THIS DOCUMENT SHALL NOT BE REPRODUCED NOR SHALL THE INFORMATION THEREIN BE USED BY OR DISCLOSED TO OTHERS EXCEPT AS AUTHORIZED BY J.E. ADAMS INDUSTRIES				

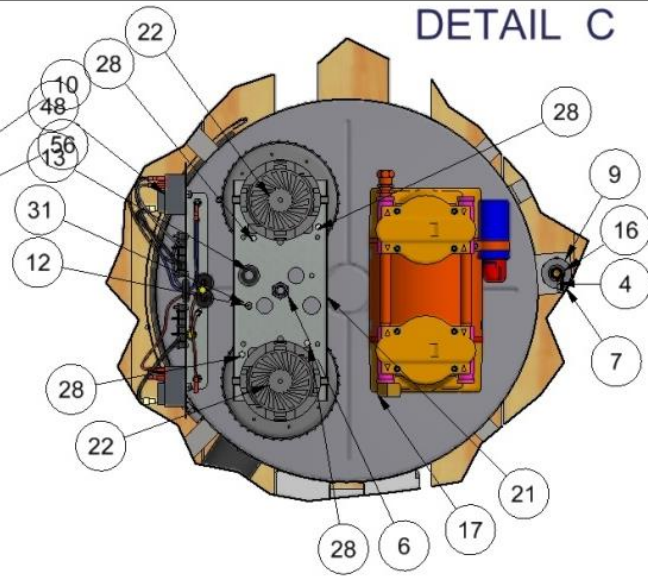
TITLE		AIR/VAC, 2DR, VR	
UNSPECIFIED TOLERANCES	MATERIAL	 <p style="text-align: right; font-size: small;">CEDAR RAPIDS, IOWA</p>	
1 PL ±.030	SCALE		
2 PL ±.010	DRAWN BY CHAD K.		
3 PL ±.003	DATE 4/22/2011		
ANGLE ±1.0°	PART NO. 9420-1VG	REV. D	

PART NO.

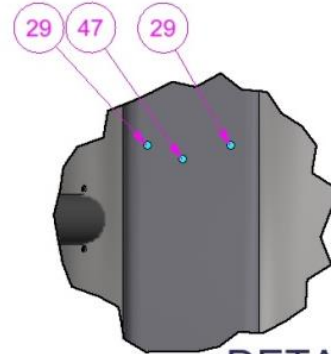
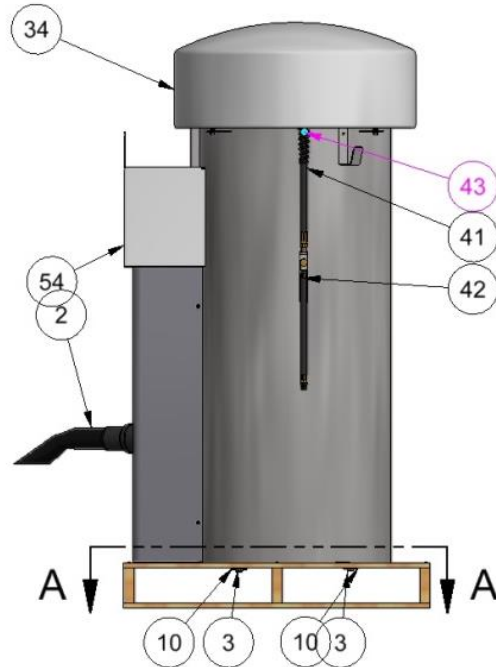
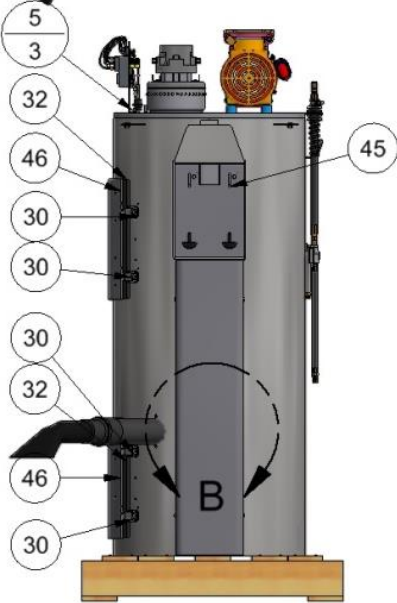
9420-1VG



SECTION A-A




DETAIL C



DETAIL B

REV	NO.	DESCRIPTION	DATE	BY
-----	-----	-------------	------	----

THIS DOCUMENT SHALL NOT BE REPRODUCED NOR SHALL THE INFORMATION THEREIN BE USED BY OR DISCLOSED TO OTHERS EXCEPT AS AUTHORIZED BY J.E. ADAMS INDUSTRIES

TITLE		AIR/VAC, 2DR, VR	
UNSPECIFIED TOLERANCES	MATERIAL	 CEDAR RAPIDS, IOWA	
1 PL ±.030	SCALE		
2 PL ±.010	DRAWN BY	CHAD K.	
3 PL ±.003	DATE	4/22/2011	
ANGLE ±1.0°	PART NO.	9420-1VG	
	REV.	D	

PART NO. 9420-1CGH

BILL OF MATERIALS				BILL OF MATERIALS			
ITEM	PART NUMBER	DESCRIPTION	QTY	ITEM	PART NUMBER	DESCRIPTION	QTY
29	8081	CABLE TIE MOUNT	2	1	2036	HOSE, 2" X 15' BLACK VACUUM	1
30	8084	CABLE TIE	3	2	2058	CLAW/CUFF ASSEMBLY, 2"	1
31	8085	15" CABLE TIE	2	3	3054	1/4" HOSE BARB X 1/4" MPT	1
32	8108	#10 X 1/2 TAP SCREW	4	4	5035D3	DOWEL PIN	4
33	8153-1	LATCH, CLEANOUT DOOR	4	5	5600D4	3/8-16 X 1.5 HHCS	4
34	8157	NUT, #6-32 KEPP NUT STAINLESS	1	6	5603D1	10 Std NC Nylock Nut	2
35	8159	DOOR GASKET	2	7	5603D11	1/2 Std NC Nylock Nut	1
36	8183	DECAL, WARNING	3	8	5603D5	1/4 Std NC Nylock Nut	8
37	8305	ASSEMBLED SS DOME	1	9	5606D22	WASHER, 3/8 FENDER	8
38	8427-1	DECAL, VACUUM	1	10	5606D7	FLAT WASHER, .160 ID X .500 OD	1
39	8427-2	DECAL, AIR	1	11	5611D4	NUT, 5/16-18 UNC KEPP- SS	2
40	8427-3	DECAL, DOME	1	12	5627D2	6-32 x .63 PD, PH, MS	1
41	8429-1	DECAL, HANG HOSE	1	13	5635D4	1/4-20 UNC CARRIAGE BOLT	4
42	8450	DECAL, TOP HEAVY	1	14	5636D1	SCREW, #10-24 X .50, PH, PD, SS	2
43	8505-1C	COVER, CONTROL PLATE, AIR/VAC COMMERCIAL	1	15	5639D1	RUBBER GROMMET	1
44	8533-8	TIRE INFLATOR W/ GAUGE	1	16	5643D2	SS HOSE CLAMP, 7/16-25/32"	1
45	8549	FLEX STRAIN RELIEF	1	17	5647D2	1/8" SS POP RIVET	16
46	8588BY	DECAL, FREE AIR	1	18	5647D8	3/16" SS POP RIVET	14
47	8589BY	DECAL, FREE VAC	1	19	5871b8	PLUG, VAC BOTTOM 2-1/2"	8
48	8615-5W	CLEANOUT DOOR WELDMENT	2	20	6027-1	RETAINER, ROLLER	1
49	8630	TUBE, 30.5 X 26 X 60	1	21	6027-2	COVER, HOSE GUIDE	2
50	8673-11	GROUND WIRE 28"	1	22	6027-3	ROLLER, HOSE GUIDE	4
51	8732	NAMEPLATE, PRODUCT SPEC'S	1	23	6082	BAG, 9 X 12	1
52	8754	WARNING DECAL	1	24	8047	BAG, 60 X 72	1
53	8939	PALLET, DUAL, OVAL, SPECIAL, 30X40	1	25	8051G	BRACKET, MOTOR MOUNT	1
54	9421W2-1C-RC	AIR/VAC CANISTER W/C, COMMERCIAL, REEL CRAFT	1	26	8055EM	MOTOR, ELECTRO 120V	2
55	9850-430	30" HOSE	1	27	8057	MOTOR GASKET	2
56	9862	COMPRESSOR, 3/4 HP TWIN CYL	1	28	8076	FILTER BAG	4
57	B5722-002	NUT, 3/8-16 UNC HEX LOCK NUT	4				
58	8437D001	ETL LISTED LABEL	1				
59	6025SHR	REEL CRAFT, BASE MOUNT	1				
60	8646-C	CONTROL ASSEMBLY, COMMERCIAL AIR/VAC	1				
61	5827D1	FITTING, STREET ELBOW, 45 DEG, 1/4 NPT	3				

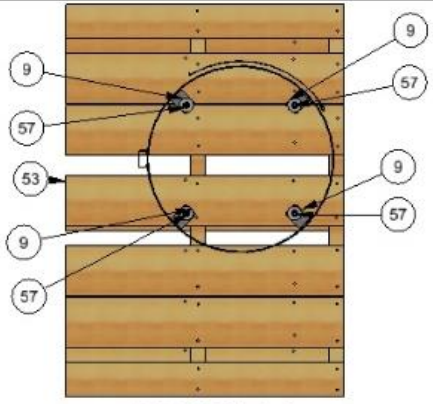
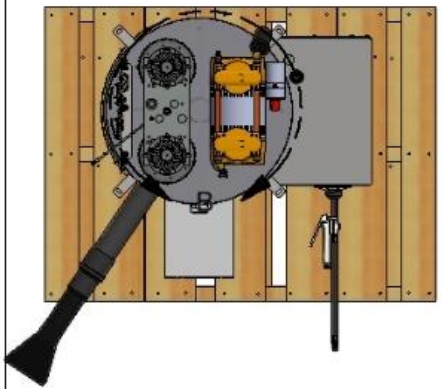


F	8604	ADD (2) 5827D1, REPLACED 5639D4 WITH 5639D1	6/1/20	MWS
E	7731	ADDED AND REMOVED PARTS, SEE ECR FOR LIST	4-5-16	CK
D	7097	REMOVED 9421W2-1C, 6025-26W-1, 5600D2 (6), 8597 (4), 8598 (4) 8596 (4) & COX REEL. ADDED 9421W2-1C-RC & REEL CRAFT	4-30-13	CK
C	6961	ADDED 8437D001	2-22-12	CK
REV	NO.	DESCRIPTION	DATE	BY

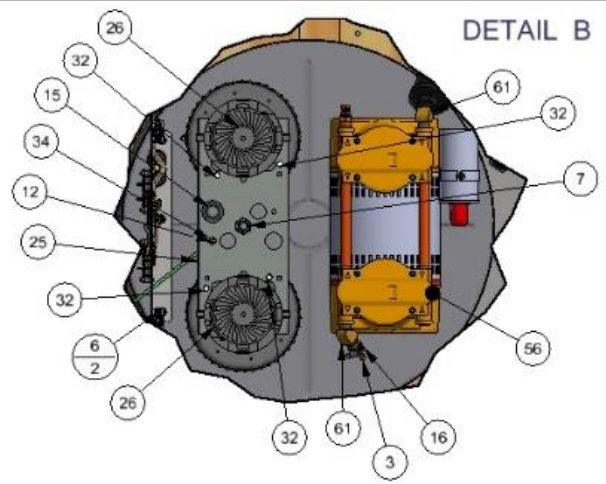
UNSPECIFIED TOLERANCES		TITLE	
1 PL ±.030	MATERIAL	AIR/VAC, 2DR, HOSE REEL, COMMERCIAL	
2 PL ±.020	DRAWN BY	CEDAR RAPIDS, IOWA	
3 PL ±.003	DATE		
ANGLE ±1°	SCALE	SHEET	NO.
		1 / 2	9420-1CGH
			F

THIS DOCUMENT SHALL NOT BE REPRODUCED NOR SHALL THE INFORMATION THEREIN BE USED BY OR DISCLOSED TO OTHERS EXCEPT AS AUTHORIZED BY J.E. ADAMS INDUSTRIES

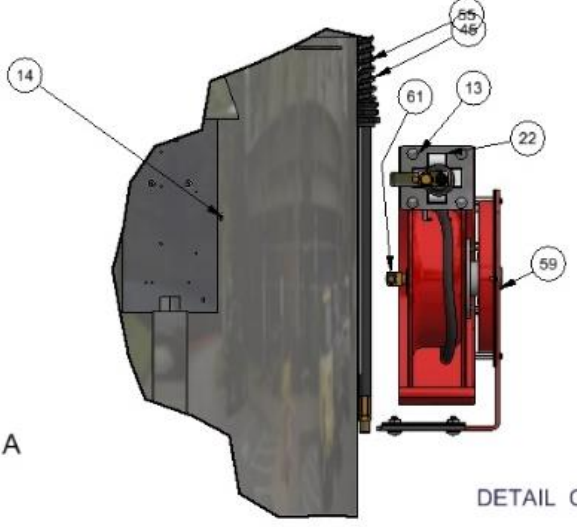
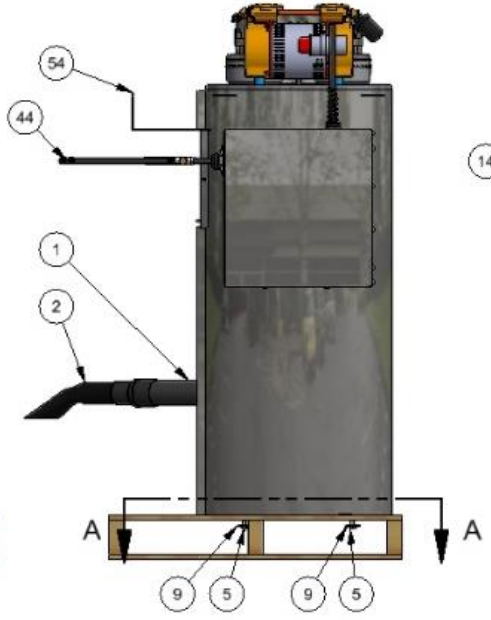
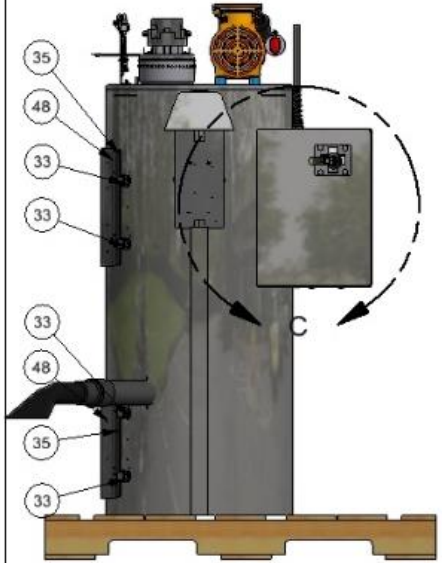
9420-1CGH



SECTION A-A



DETAIL B



DETAIL C

REV	NO.	DESCRIPTION	DATE	BY

THIS DOCUMENT SHALL NOT BE REPRODUCED NOR SHALL THE INFORMATION THEREIN BE USED BY OR DISCLOSED TO OTHERS EXCEPT AS AUTHORIZED BY J.E. ADAMS INDUSTRIES

TITLE		AIR/VAC, 2DR, HOSE REEL, COMMERCIAL	
UNSPECIFIED TOLERANCES	DATE	4/21/2011	
1 PL ±.030	SCALE	2 / 2	
2 PL ±.020	SHEET	2 / 2	
3 PL ±.003	REV	9420-1CGH F	
ANGLE ± 1°			



PART NO. 9420CGDH

BILL OF MATERIALS				BILL OF MATERIALS			
ITEM	PART NUMBER	DESCRIPTION	QTY	ITEM	PART NUMBER	DESCRIPTION	QTY
33	8505-1C	COVER, CONTROL PLATE, AIR/VAC COMMERCIAL	1	1	2036	HOSE, 2" X 15' BLACK VACUUM	2
34	8532-25	AIR HOSE ASSY, 1/4" X 25'	1	2	2058	CLAW/CUFF ASSEMBLY, 2"	2
35	8533-8	TIRE INFLATOR W/ GAUGE	1	3	2058-13A-9	CLAW HANGER ASSEMBLY, VAC MNT	2
36	8549	FLEX STRAIN RELIEF	1	4	SH111	BOX, 6X6X5, SHIPPING	1
37	8588VA-BY	DECAL, FREE, ON/OFF, AIR/VAC	1	6	28000-36	MOTOR MOUNT	6
38	8615-5W	CLEANOUT DOOR WELDMENT	2	7	5600D4	3/8-16 X 1.5 HHCS	4
39	8631	PAD, 11 X 55	1	8	5601D13	SCR,1/4-20x1/2 PPHSqConeStepZP	6
40	8646-C2	TIMER ASSEMBLY, AIR/VAC	1	9	5601D4	1/4-20 x 3/4 HHCS-SS	1
41	8732	NAMEPLATE SERIAL TAG, UL	1	10	5603D1	10-24 Std NC Nylock Nut	2
42	8754	DECAL- ENGLISH/FRENCH/SPANISH, WARN	1	11	5603D2	1/4-20 NYLOCK NUT, SS	6
43	8918	SWITCH, SPST, 15A, #6 SCREW TERM	1	12	5606D21	WASHER, FLAT, 3/4 SAE, ID 13/16	1
44	8939	PALLET, DUAL, OVAL, SPECIAL, 30X40	1	13	5606D22	WASHER, 3/8 FENDER	8
45	9236-3W-DH-3	3 MOTOR, AIR VAC CANISTER	1	14	5611D2	NUT, 10-24 UNC KEPP- ZINC	1
46	9862	COMPRESSOR, 3/4 HP TWIN CYL	1	15	5627D2	6-32 x .63 PD, PH, MS	2
47	B5722-002	NUT, 3/8-16 UNC HEX LOCK NUT	4	16	5636D1	SCREW, #10-24 X .50, PH, PD, SS	2

NOTE 1

1. USE WIRE DIAGRAM 9420CGDH TO WIRE UNIT. WIRE CUT LIST IS CALLED OUT ON 8646-C2.
2. PACKAGE CLAW HANGERS IN SH111 TO PROTECT FROM SHIPPING DAMAGE.

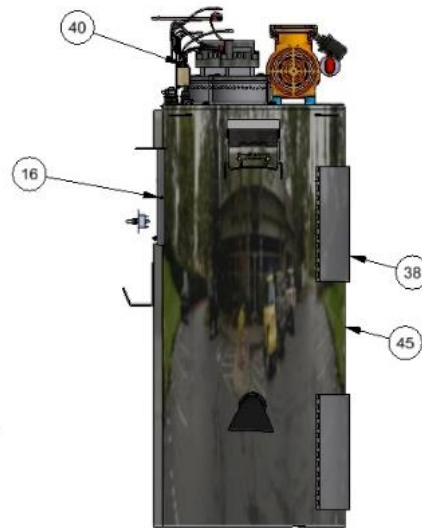
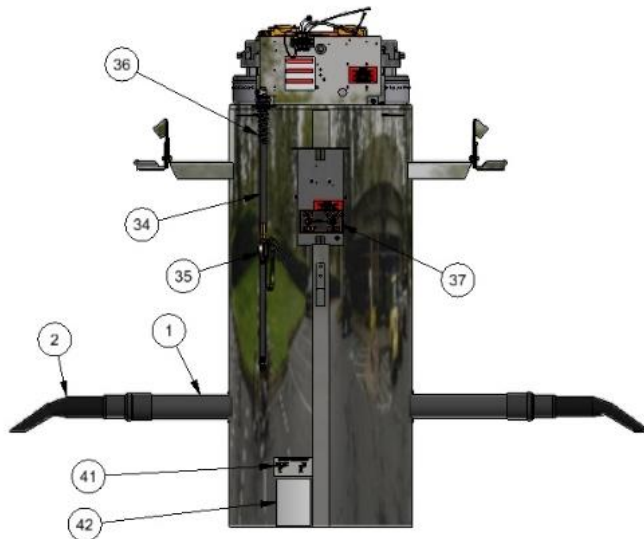
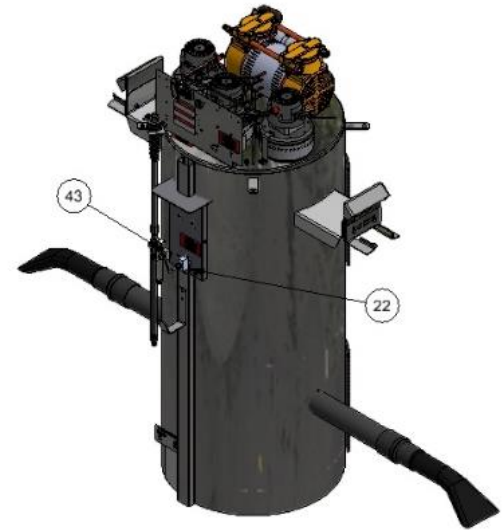
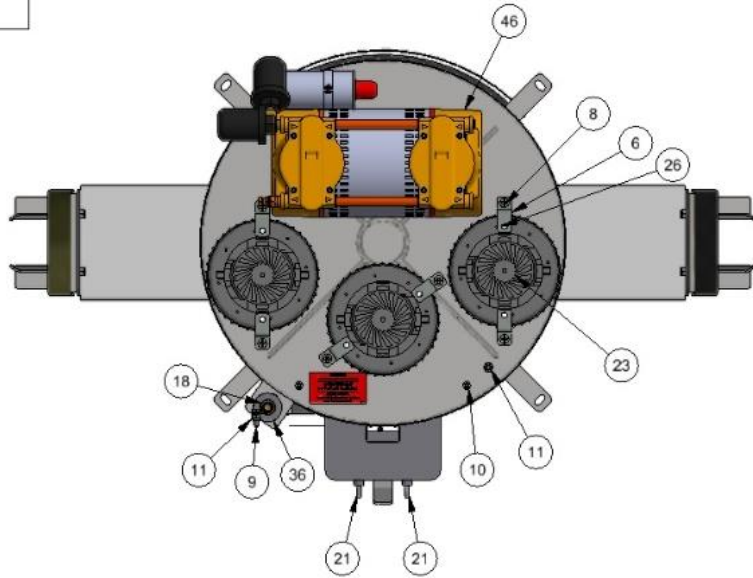


17	5647D2	RIVET, 1/8 SS POP	16
18	5684D2	P CLAMP, HOSE, CUSHIONED, 1/2" ID	1
19	5800D6	90 DEG. NPT STREET ELBOW	1
20	5871b8	PLUG, VAC BOTTOM 2-1/2"	8
21	5920	BOOT, TOGGLE SWITCH	2
22	5997	SWITCH, DPDT, 20A@120vac	1
23	8055EM	MOTOR, ELECTRO 120V	3
24	8057	MOTOR GASKET	3
25	8076	FILTER BAG	4
26	8108	#10 x 1/2 TAP SCREW	6
27	8153-1	LATCH, CLEANOUT DOOR	4
28	8159	DOOR GASKET	2
29	8183	DECAL, "DISCONNECT POWER"	2
30	8305	ASSEMBLED SS DOME	1
31	8427-1	DECAL, VACUUM	1
32	8427-2	DECAL, AIR	1

B	8575	REMOVED 2058-13W, 2058-4, 2058-3, 5601D4, 5603D2, ADD 2058-13A-9, SH111	3/17/20	MWS
A	8411	CHANGE TO LID MOUNTED TIMER BRACKET, RELAY ADDED TO CARRY LOAD INSTEAD OF SWITCH	03/08/19	JRF
REV	NO.	DESCRIPTION	DATE	BY

TITLE		VAC, 3M, COM, LGD, DH	
UNSPECIFIED TOLERANCES	MATERIAL	DRAWN BY	CHAD K.
1 PL ±.030		DATE	7/14/2016
2 PL ±.020		SCALE	1 / 2
3 PL ±.003		SHEET	1 / 2
ANGLE ±1°		PART NO.	9420CGDH
		REV.	B

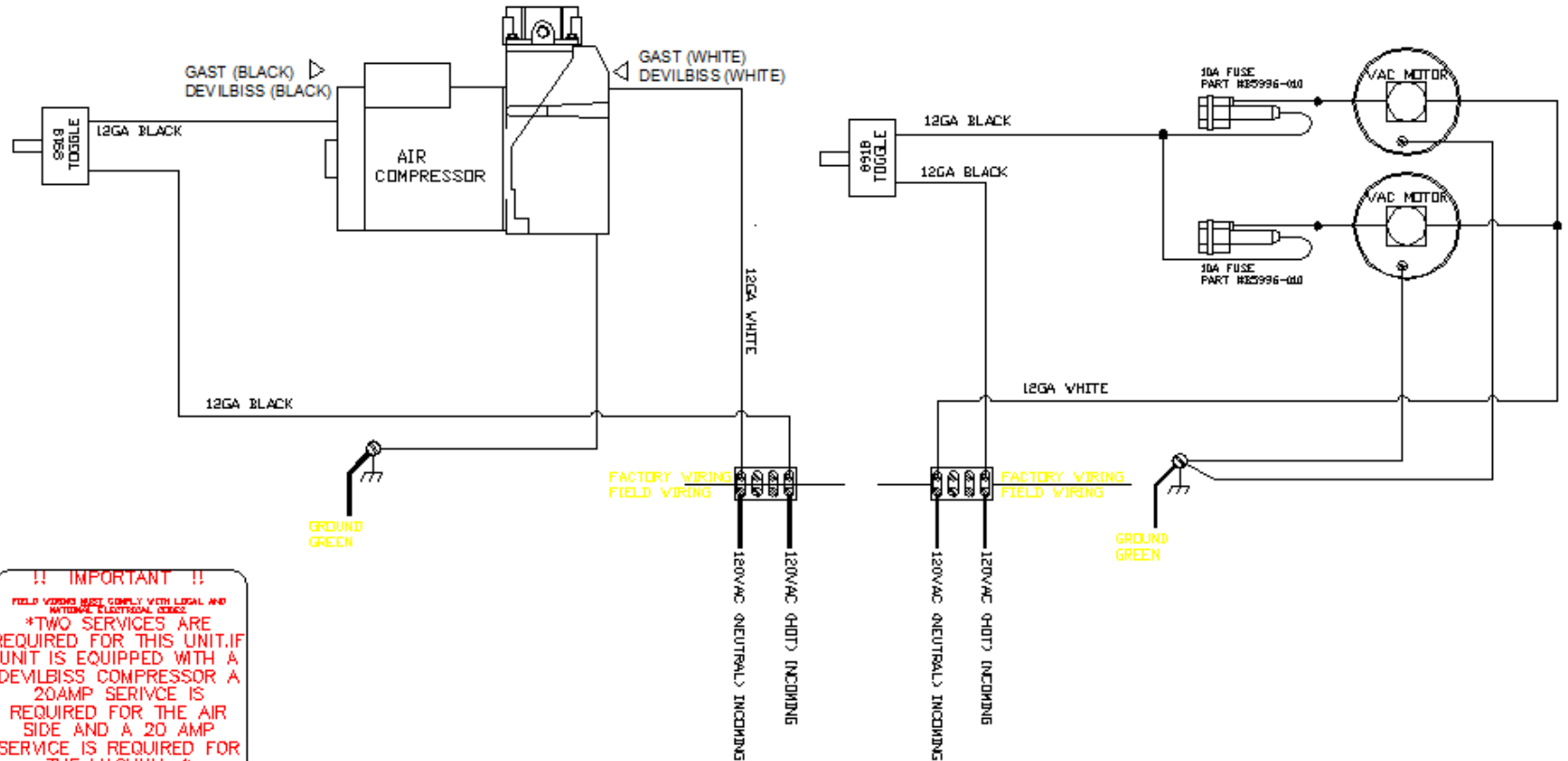
CEDAR RAPIDS, IOWA
J.E. ADAMS INDUSTRIES, LTD.



TITLE		VAC, 3M, COM, LGD, DH		CEDAR RAPIDS, IOWA	
UNSPECIFIED TOLERANCES		DRAWN BY CHAD K.			
1 PL ± .030		DATE 7/14/2016			
2 PL ± .020		SCALE SHEET			
3 PL ± .003		ANGLE ± 1°		.05 2 / 2	
PART NO.		9420CGDH		REV. B	

REV	NO.	DESCRIPTION	DATE	BY
THIS DOCUMENT SHALL NOT BE REPRODUCED NOR SHALL THE INFORMATION THEREIN BE USED BY OR DISCLOSED TO OTHERS EXCEPT AS AUTHORIZED BY J.E. ADAMS INDUSTRIES				

ITEM NO.	PART NO.	DESCRIPTION	QTY.
----------	----------	-------------	------



!! IMPORTANT !!
 FIELD WIRING MUST COMPLY WITH LOCAL AND NATIONAL ELECTRICAL CODES
 *TWO SERVICES ARE REQUIRED FOR THIS UNIT. IF UNIT IS EQUIPPED WITH A DEVILBISS COMPRESSOR A 20AMP SERVICE IS REQUIRED FOR THE AIR SIDE AND A 20 AMP SERVICE IS REQUIRED FOR THE VACUUM. *

!! IMPORTANT !!
 FIELD WIRING MUST COMPLY WITH LOCAL AND NATIONAL ELECTRICAL CODES
 *TWO SERVICES ARE REQUIRED FOR THIS UNIT. IF UNIT IS EQUIPPED WITH A TWIN THOMAS OR GAST COMPRESSOR A 10AMP SERVICE IS REQUIRED FOR THE AIR SIDE AND A 20 AMP SERVICE IS REQUIRED FOR THE VACUUM. *

A	6956	ADDED ADDITIONAL TERMINAL STRIP	5-11-18	CK
REV	NO.	DESCRIPTION	DATE	BY

TITLE: **AIR/VACUUM, COMMERCIAL, ALL COMPRESSORS**

SCALE: -

UNSPECIFIED TOLERANCES: FRACT. ±1/32, 2 PL ±.020, 3 PL ±.010, ANGLE ±1.0°

DRAWN BY: JF

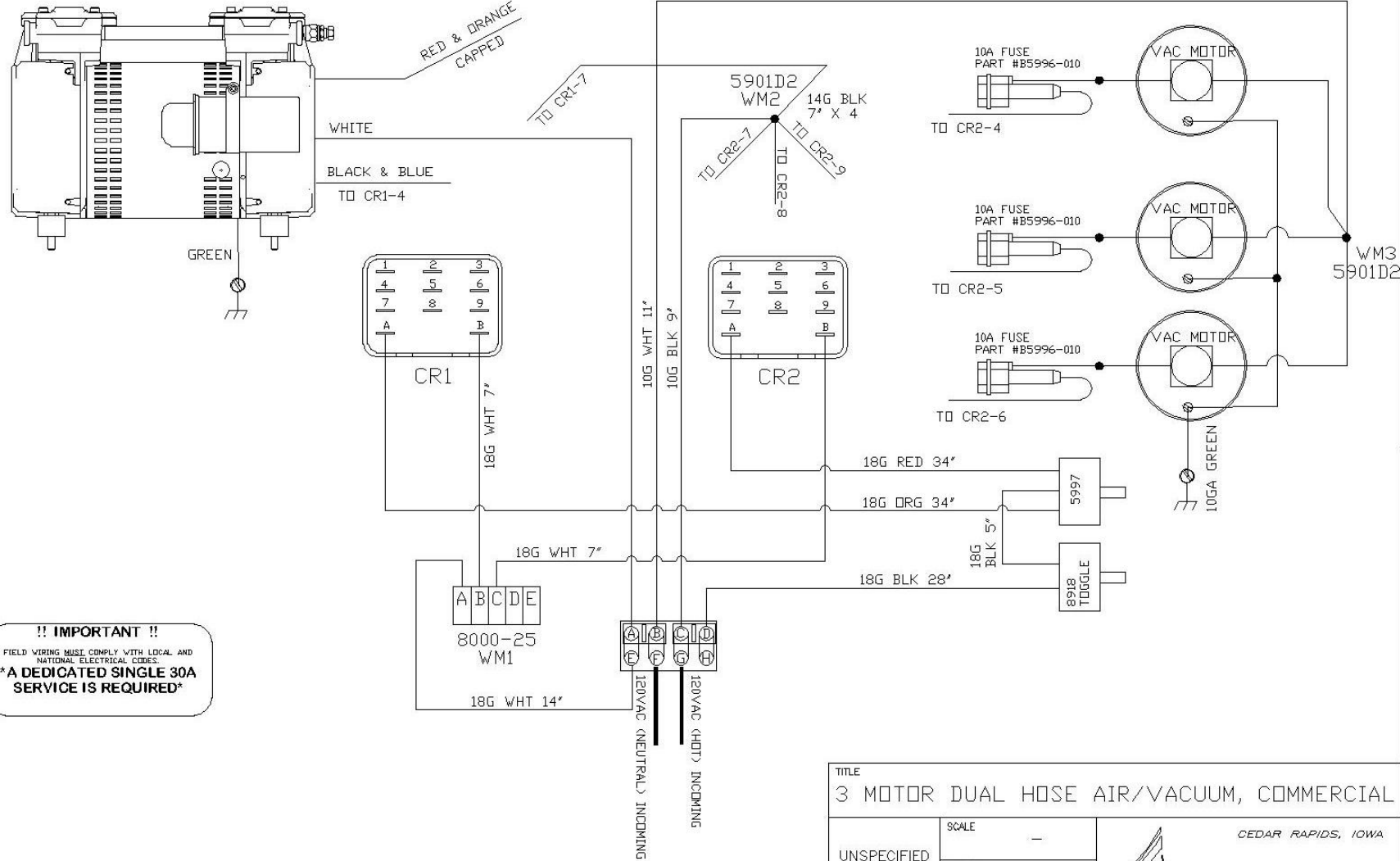
DATE: 12-15-11

REL. FOR PROD.

CEDAR RAPIDS, IOWA

PART NO. **9420-SERIES A**

ITEM NO.	PART NO.	DESCRIPTION	QTY.
----------	----------	-------------	------



!! IMPORTANT !!
 FIELD WIRING MUST COMPLY WITH LOCAL AND NATIONAL ELECTRICAL CODES.
 A DEDICATED SINGLE 30A SERVICE IS REQUIRED

TITLE
 3 MOTOR DUAL HOSE AIR/VACUUM, COMMERCIAL

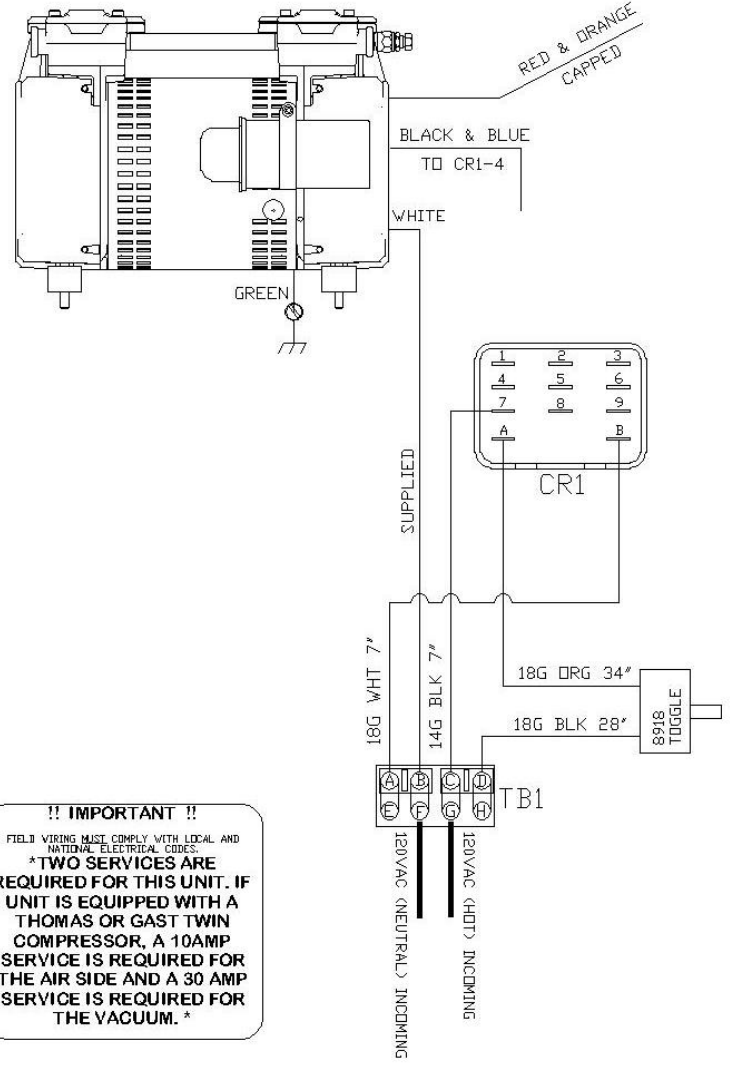
UNSPECIFIED TOLERANCES	SCALE -
FRACT. ± 1/32	DRAWN BY JRF
2 PL ± 0.20	DATE 03/15/19
3 PL ± 0.10	REL. FOR PROD.
ANGLE ± 1.0°	



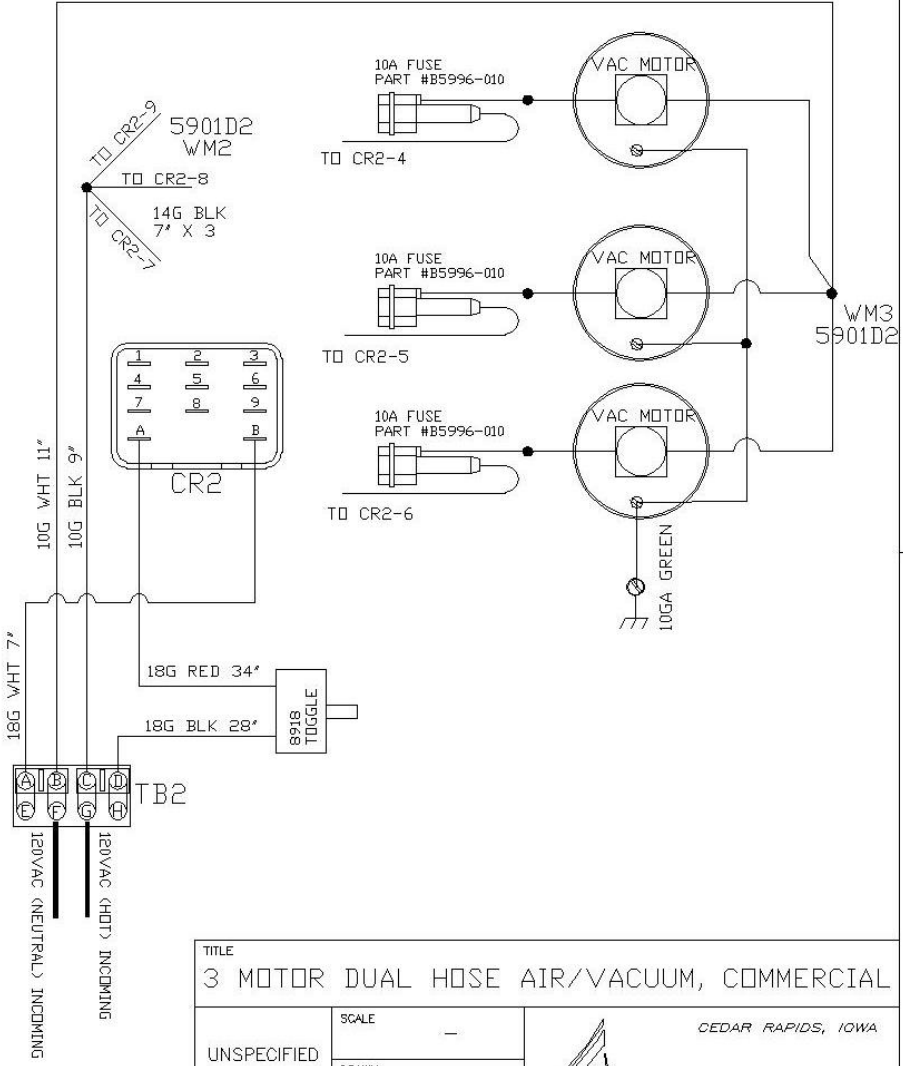
REV	NO.	DESCRIPTION	DATE	BY
A	8411	RELAYS ADDED TO CARRY LOAD	031519	JRF


PART NO. 9420CGDH	REV. A
-------------------	--------

ITEM NO.	PART NO.	DESCRIPTION	QTY.
----------	----------	-------------	------



!! IMPORTANT !!
 FIELD WIRING MUST COMPLY WITH LOCAL AND NATIONAL ELECTRICAL CODES.
*** TWO SERVICES ARE REQUIRED FOR THIS UNIT. IF UNIT IS EQUIPPED WITH A THOMAS OR GAST TWIN COMPRESSOR, A 10AMP SERVICE IS REQUIRED FOR THE AIR SIDE AND A 30 AMP SERVICE IS REQUIRED FOR THE VACUUM. ***



TITLE		CEDAR RAPIDS, IOWA	
3 MOTOR DUAL HOSE AIR/VACUUM, COMMERCIAL			
UNSPECIFIED TOLERANCES FRACT. ±1/32 2 PL ±.020 3 PL ±.010 ANGLE ±1.0°	SCALE	-	
	DRAWN BY	JRF	
	DATE	03-15-19	
REL. FOR PROD.	PART NO.	9420CGDH-2	
	REV.	-	

-	8411	RELEASED	031519	JRF
REV	NO.	DESCRIPTION	DATE	BY